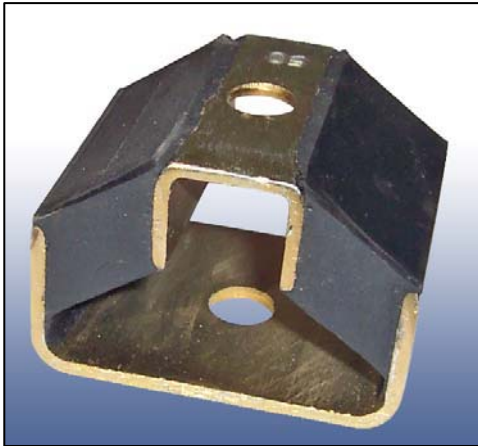




Vibration Isolation Products

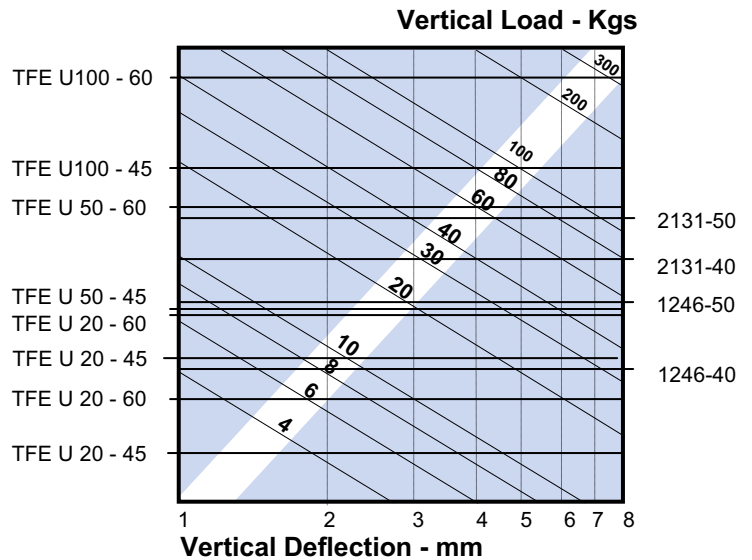
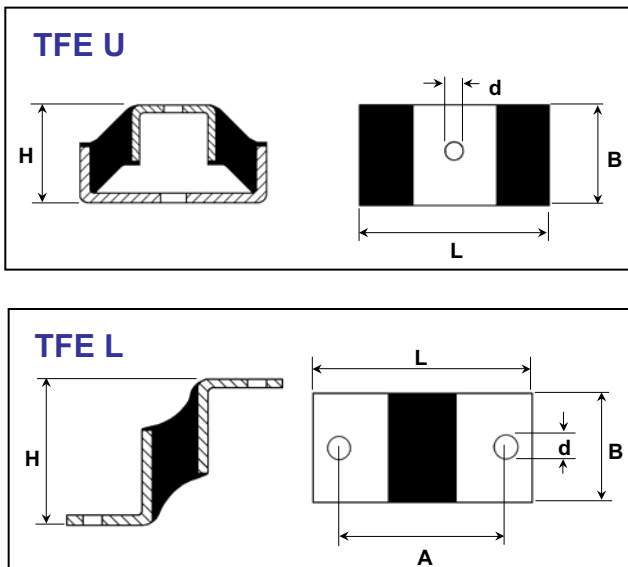
Shear Mountings



Shear Mountings or U Mountings allow for high vertical deflections giving good shock isolation together with excellent vibration isolation of low frequency applications. Shear Mountings can be loaded in any of three planes allowing for relatively high deflections. For rotating applications the soft axis of the shear mount should be placed at right angles to the shaft whereas on mobile applications the shear mount is normally installed with the firm axis in the direction of travel.

Applications Include: Packing / transit cases, Measuring equipment, Computers, Generating sets (Gen sets), Pumps & Fans

LOAD / DEFLECTION CHART



PART No	A	B	L	H	d	45 IRHD		60 IRHD	
						MAX-kgs	MAX-mm	MAX-kgs	MAX-mm
TFE U20		20	90	50	10	36	8.0	53	8.0
TFE U50		50	90	50	12	53	8.0	117	8.0
TFE U100		100	90	50	15	160	8.0	325	8.0
TFE L20		20	90	58	10	18	8.0	26	8.0
						40 IRHD		50 IRHD	
1246		50	60	42	10.5	40	9.5	52	8.3
2131		51	80	78	13-slot	70	8.3	93	7.5

© Vibration Isolation Products Ltd 2007