



## Engine Mountings

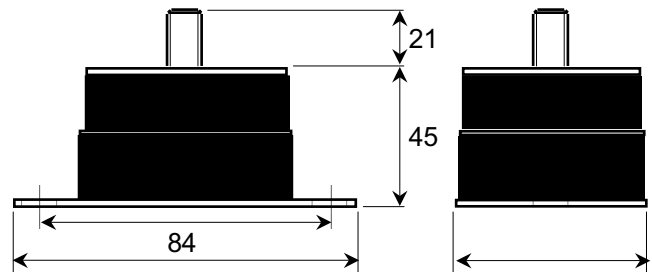


Engine mountings allow for high vertical static and shock loads in compression, whilst simultaneously providing for high isolation values in horizontal shear.

This category of engine mountings and rubber engine mountings generally consist of rubber sections with integrally bonded interleaf metal plates that are bonded to two square heavy duty outer metal fixing plates.

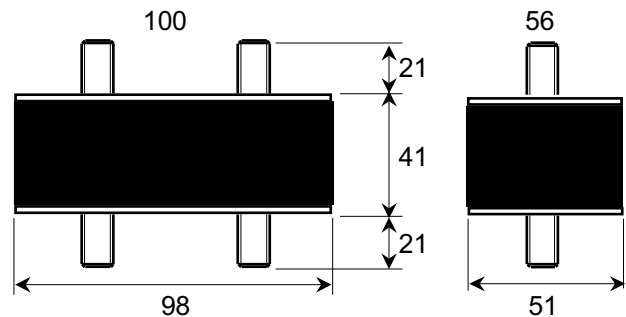
**Applications Include:** Engine Mountings on Road Vehicles  
Mobile Construction Plant, Lift Head Gear, Hoppers, Heavy Plant, Conveyor Systems

**PART No V7003**



**PART No V7004**

4 \* 3/8 UNF studs  
on 50.8 centres



**PART No V7004**

1 \* 9/16 UNF stud  
  
2 \* 3/8 UNF studs  
on 50.8 centres

